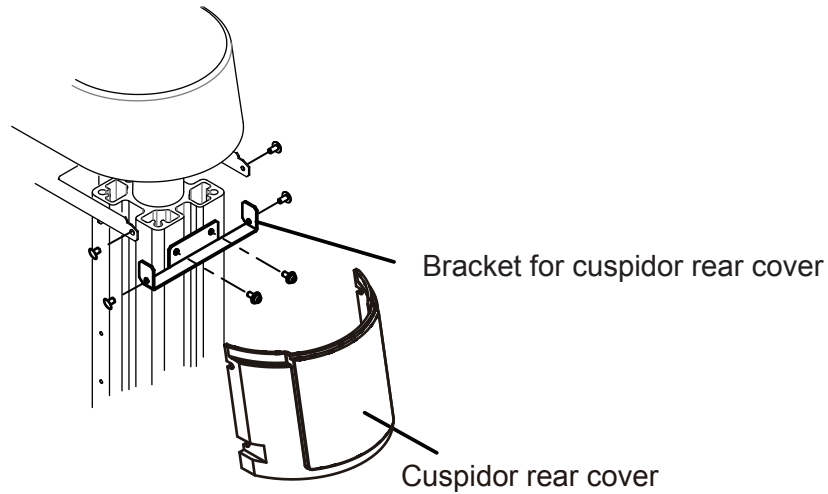
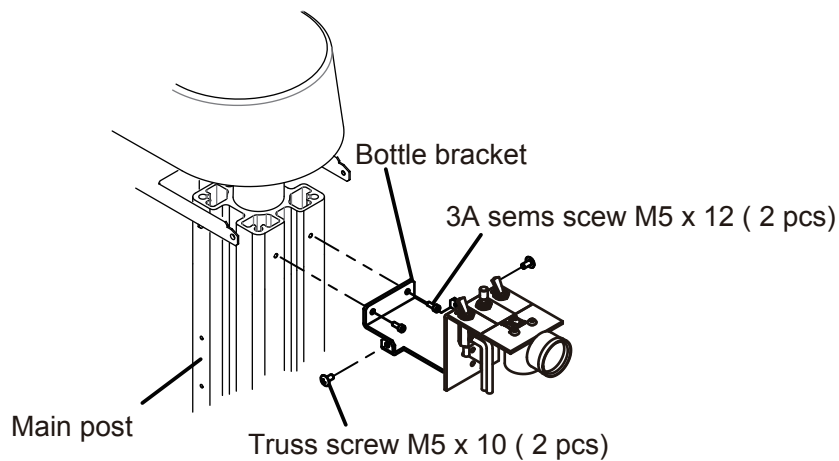


CREDIA G1 installation manual of water bottle

1. Remove cuspidor rear cover and bracket for cuspidor rear cover.



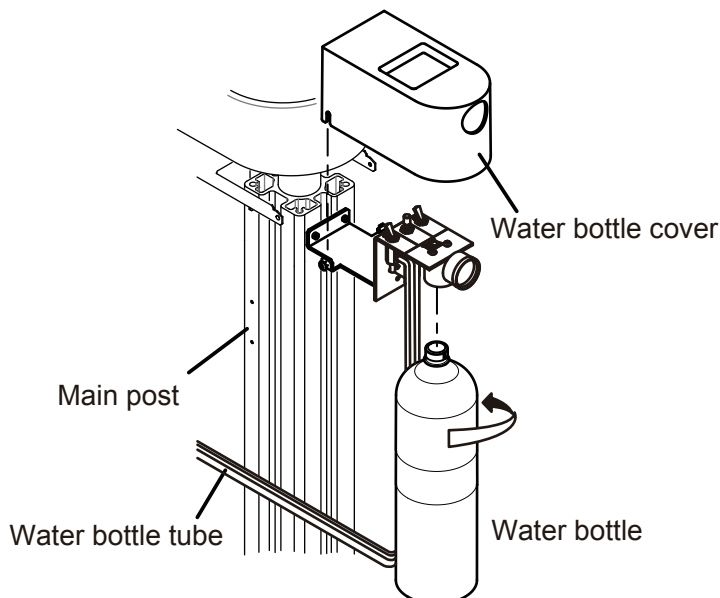
2. Fix the bottle bracket to main post with 3A sems M5 x 12 (2 pcs).
Attach truss screw M5 x 10 (2 pcs) to the bottle bracket.



3. Attach the water bottle cover.

Twist the water bottle to the direction that the arrow shows in the diagram.

Connect the water bottle tube to the cuspidor by inserting it from outside of the main post to inside of the cuspidor. (Refer to piping diagram on next page)



Piping diagram

