

**DENTAL OPERATORY SYSTEM**

# **Rapport.**

## **OPERATING INSTRUCTIONS**

### **IMPORTANT**

**This manual provides operating instruction for BELMONT RAPPORT.  
The instructions contained in this booklet should be thoroughly read and  
understood before operating of the system.  
File this manual and refer back to it for future maintenance.**

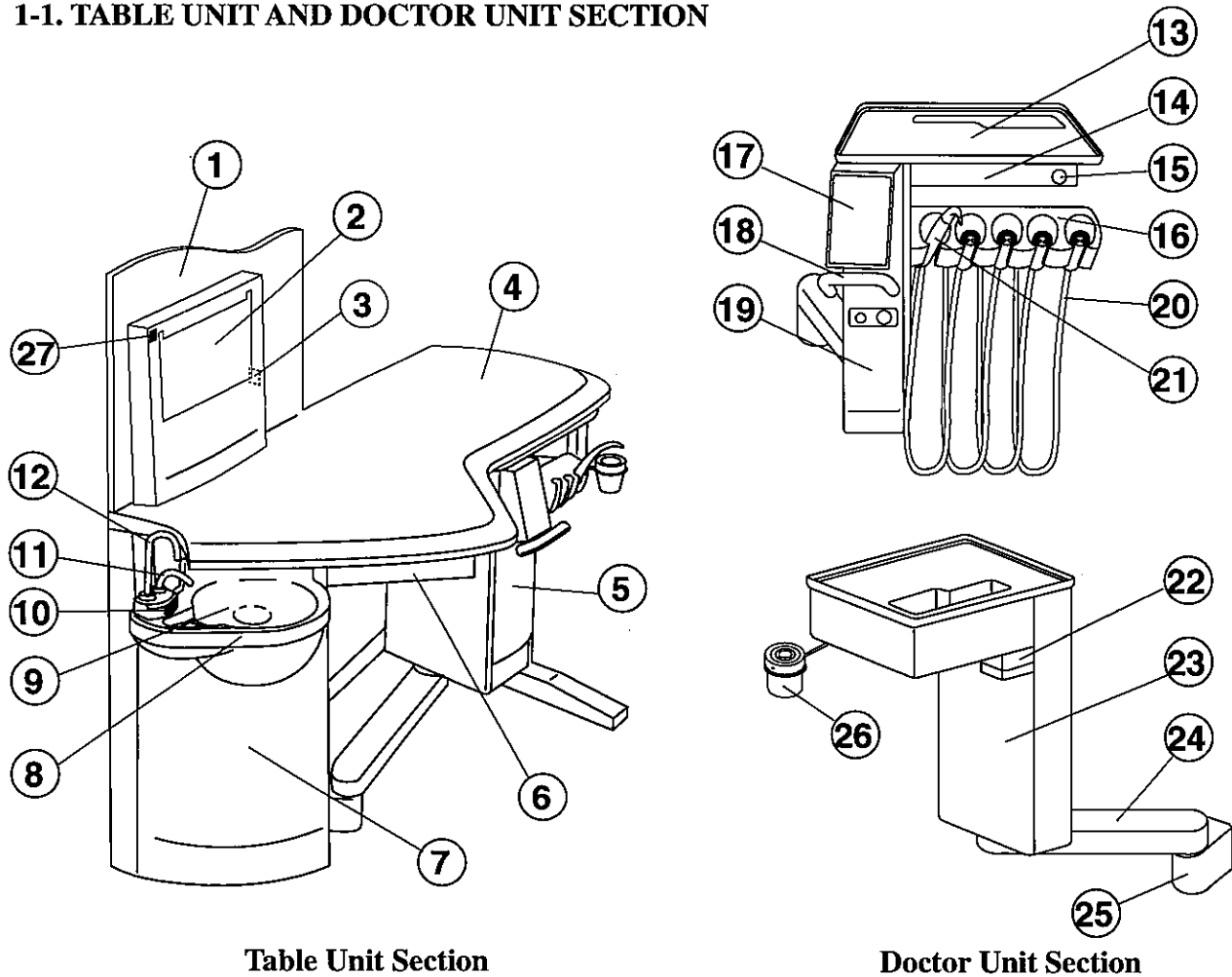
 **Belmont**

## TABLE OF CONTENTS

	Page
1. OVERALL VIEW AND MAJOR PARTS -----	1
1-1. TABLE UNIT AND DOCTOR UNIT SECTION -----	1
1-2. ASSISTANT UNIT AND DENTAL LIGHT SECTION -----	2
1-3. CHAIR SECTION -----	3
2. DIMENSIONS	
2-1. CHAIR DIMENSIONS -----	4
2-2. TABLE UNIT DIMENSIONS -----	4
2-3. ASSISTANT UNIT DIMENSIONS -----	5
2-4. POLE MOUNT LIGHT DIMENSIONS -----	5
3. LAYOUT AND SPECIFICATIONS	
3-1. LAYOUT -----	6
3-2. SPECIFICATIONS -----	6
4. OPERATION INSTRUCTIONS	
4-1. MASTER SWITCH AND CHAIR MAIN SWITCH -----	7
4-2. CONTROL PANELS -----	7
4-3. CHAIR POSITIONS AND CHAIR OPERATING INSTRUCTIONS -----	8
4-4. UNIT OPERATING INSTRUCTIONS -----	11
4-5. SUPPORT FUNCTIONS -----	14
4-6. CEILING LIGHT OPERATING INSTRUCTIONS -----	17
5. ADJUSTMENTS	
5-1. CHAIR AUTO MODE POSITION ADJUSTMENTS -----	18
5-2. HANDPIECE HOLDER FUNCTION CANCELLATION AND RESET -----	18
6. CARE AND MAINTENANCE	
6-1. CARE AND MAINTENANCE FOR CHAIR -----	19
6-2. CARE AND MAINTENANCE FOR UNIT -----	19
6-3. CARE AND MAINTENANCE FOR POLE MOUNT LIGHT -----	21

# 1. OVERALL VIEW AND MAJOR COMPONENTS

## 1-1. TABLE UNIT AND DOCTOR UNIT SECTION



**Table Unit Section**

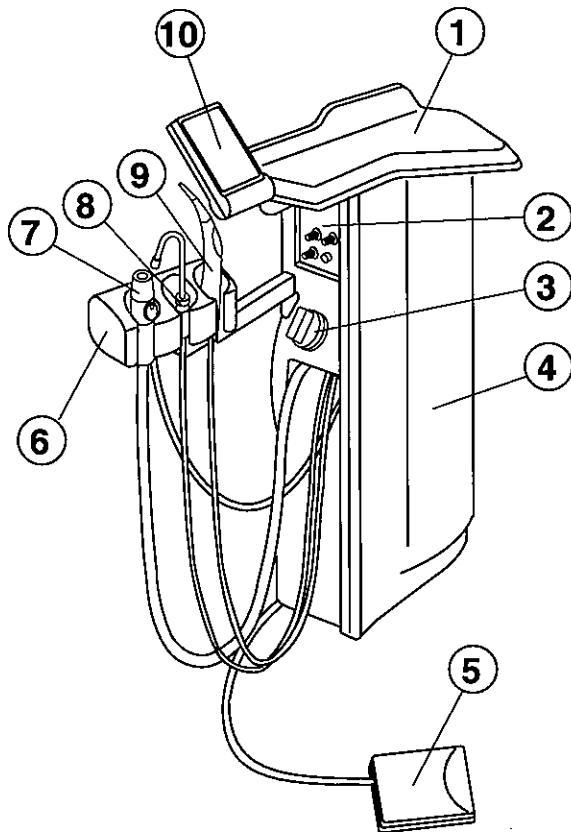
**Doctor Unit Section**

**Fig.1-1 Table Unit and Doctor Unit Section Overall View**

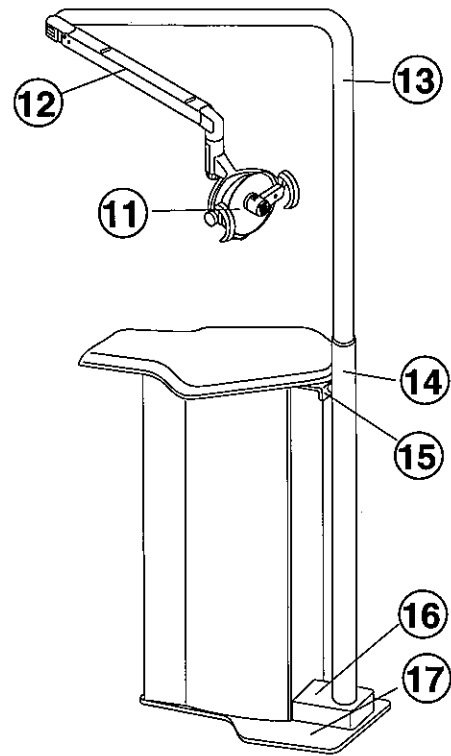
### TABLE UNIT AND DOCTOR UNIT SECTION MAJOR COMPONENTS

- |                         |                                |
|-------------------------|--------------------------------|
| ① Partition Panel       | ⑮ Handpiece Pressure Gauge     |
| ② Panorama Viewer       | ⑯ Doctor Unit Handpiece Holder |
| ③ Master Switch         | ⑰ Doctor Unit Control Panel    |
| ④ Table unit Top        | ⑱ Handle                       |
| ⑤ Doctor Unit           | ⑲ Doctor Unit Front Cover      |
| ⑥ Printer Case          | ⑳ Handpiece Tubing             |
| ⑦ Side Cover            | ㉑ Doctor's Syringe             |
| ⑧ Cuspidor Cover        | ㉒ Oil Mist Separator           |
| ⑨ Cuspidor Bowl         | ㉓ Doctor Unit Frame            |
| ⑩ Cupfiller Sensor      | ㉔ Table Arm                    |
| ⑪ Bowl Flush Nozzle     | ㉕ Table Flange                 |
| ⑫ Cupfiller Nozzle      | ㉖ Waste Receptacle             |
| ⑬ Doctor Unit Table Top | ㉗ Ceiling Light Control Sensor |
| ⑭ Table Housing         |                                |

## 1-2. ASSISTANT UNIT AND DENTAL LIGHT SECTION



**Assistant Unit Section**



**Pole Mount Light (IO 5000)**

**Fig.1-2 Assistant Unit and Dental Light Section Overall View**

### ASSISTANT UNIT AND DENTAL LIGHT SECTION MAJOR PARTS

- |                                    |                    |
|------------------------------------|--------------------|
| ① Assistant Unit Table Top         | ⑪ Light Head       |
| ② Cuspidor Unit Control Panel      | ⑫ Balance Arm      |
| ③ Solid Collector                  | ⑬ Light Pole       |
| ④ Side Panel                       | ⑭ Light Post       |
| ⑤ Foot Controller (SP Type)        | ⑮ Light Bracket    |
| ⑥ Assistant Side Instrument Holder | ⑯ Light Base Cover |
| ⑦ Vacuum Handpiece                 | ⑰ Light Base       |
| ⑧ Saliva Ejector                   |                    |
| ④ Assistant's Syringe              |                    |
| ⑩ Assistant Unit Control Panel     |                    |

### 1-3. CHAIR SECTION

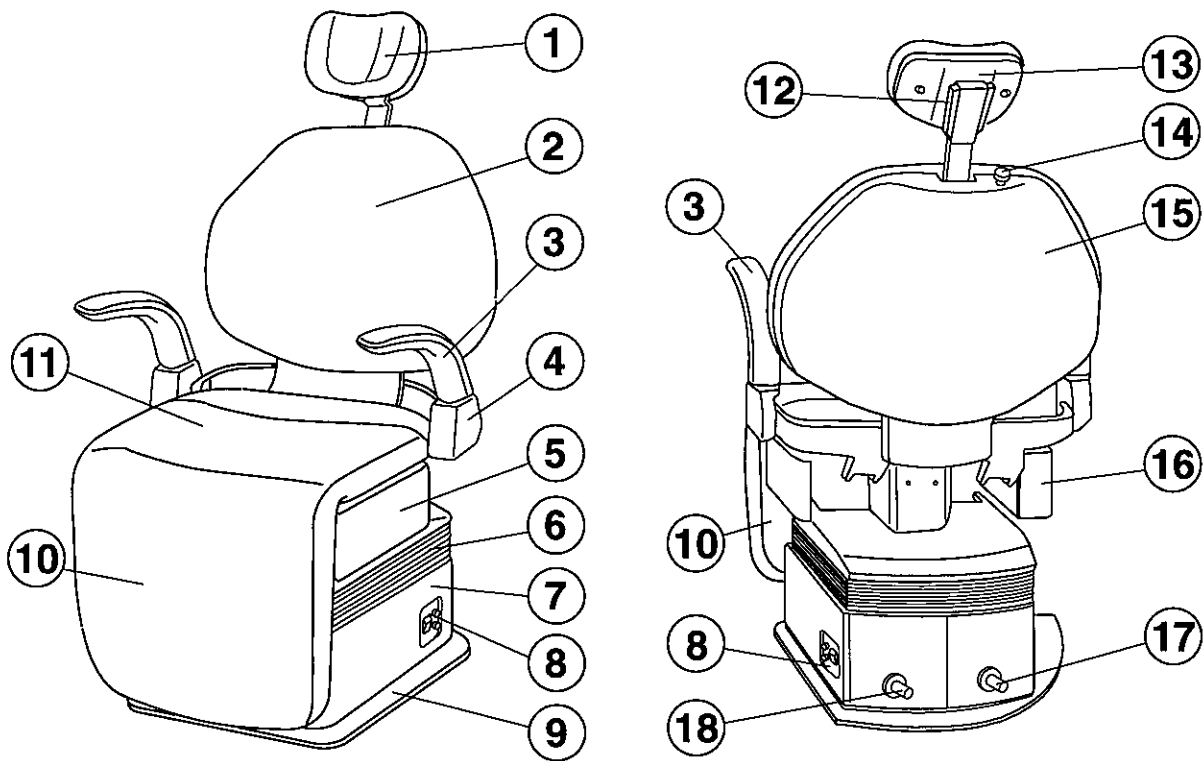


Fig.1-3 Chair Section Overall View

#### CHAIR SECTION MAJOR PARTS

- |                     |                                      |
|---------------------|--------------------------------------|
| ① Headrest          | ⑩ Legrest                            |
| ② Backrest          | ⑪ Seat                               |
| ③ Armrest           | ⑫ Headrest Angle Lock Lever          |
| ④ Side Frame        | ⑬ Headrest Cover                     |
| ⑤ Side Cover        | ⑭ Chair Rotation Lock Release Button |
| ⑥ Bellows           | ⑮ Backrest Cover                     |
| ⑦ Pump Cover        | ⑯ P.C.B. Cover                       |
| ⑧ Chair Main Switch | ⑰ Chair Manual Control Stick Switch  |
| ⑨ Base Plate        | ⑱ Ceiling Light Control Stick Switch |

## 2. DIMENSIONS

### 2-1. CHAIR DIMENSIONS

-mm-

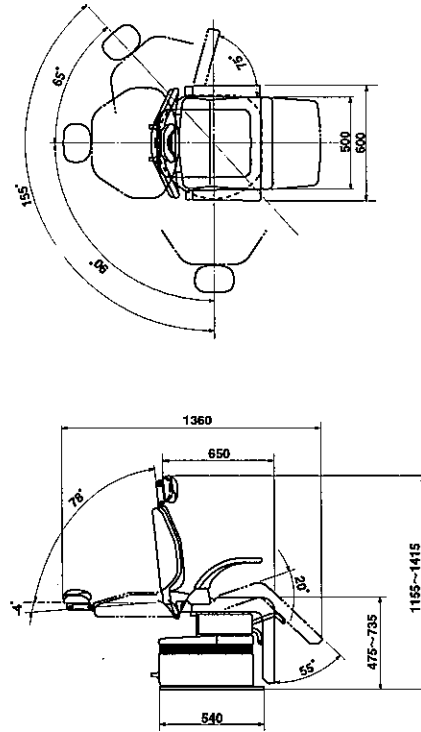


Fig.2-1 Chair Dimensions

### 2-2. TABLE UNIT DIMENSIONS

-mm-

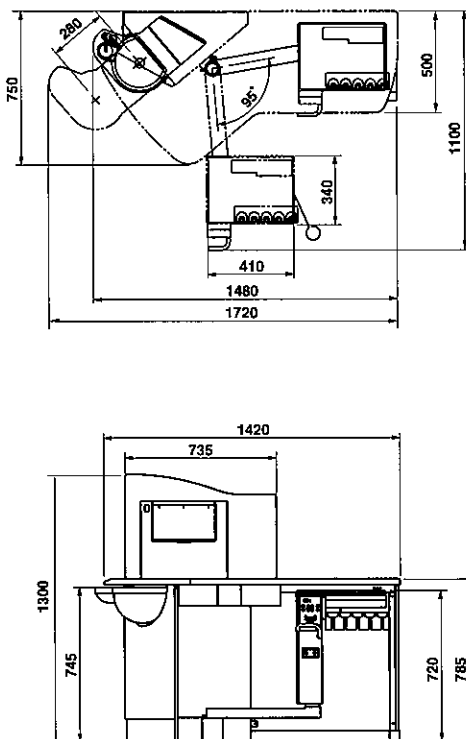


Fig.2-2 Table Unit Dimensions

### 2-3. ASSISTANT UNIT DIMENSIONS

-mm-

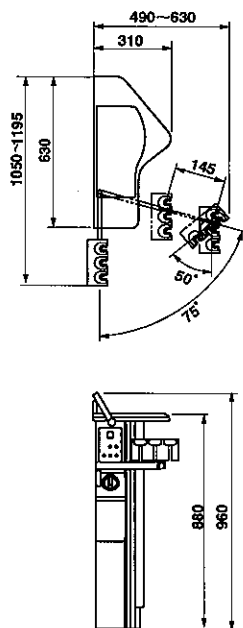


Fig.2-3 Assistant Unit Dimensions

### 2-4. POLE MOUNT LIGHT (IO 5000) DIMENSIONS (OPTIONAL)

-mm-

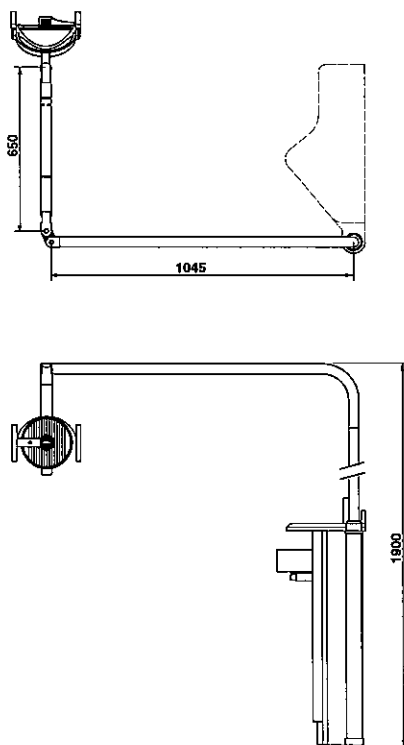


Fig.2-4 Pole Mount Light (IO 5000) Dimensions

### 3. LAYOUT AND SPECIFICATIONS

#### 3-1. LAYOUT

Completed Rapport setting position layout is shown in Fig.3-1.

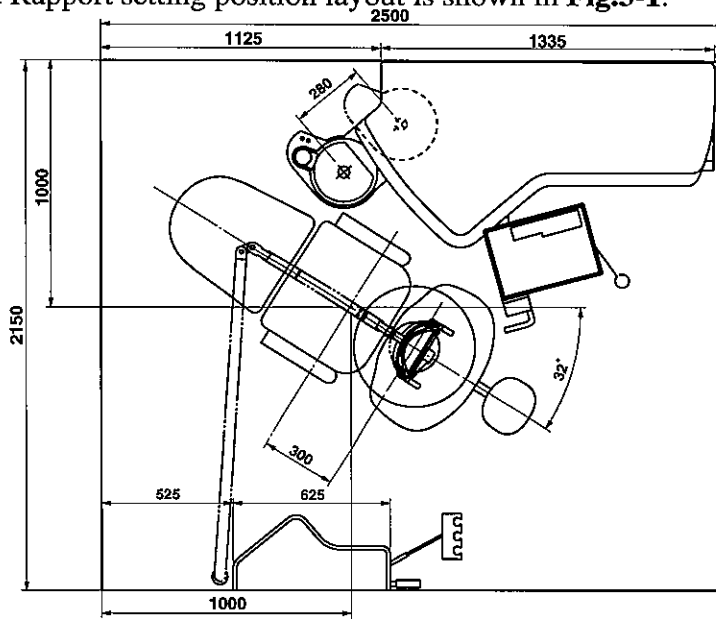


Fig.3-1 Setting Position Latout

#### 3-2. SPECIFICATIONS

##### Chair Section

Seat Initial Height .....	475mm
Seat lifting Stroke .....	260mm
Backrest Angle .....	0 ~ 82°
Chair Rotation .....	138° (Right 90°, Left 48°)
Control Voltage .....	DC12V
Power Consumption .....	AC115V, 50/60Hz, 500/490W AC220/230V, 50/60Hz, 510/530W AC240V, 50/60Hz, 650/680W
Net Weight .....	122kg

##### Unit Section

Power Requirement .....	AC115V/220/230/240V, 50/60Hz
Compressed Air Pressure Requirement .....	0.54 - 0.59 Mpa(5.5 - 6.0 kg/m <sup>2</sup> )
Compressed Air Supply Capacity .....	60 l/min
Water Pressure Requirement .....	0.14 - 0.19 Mpa(1.5 - 2.0 kg/m <sup>2</sup> )
Saliva Ejector .....	Central Type
Vacuum .....	Central Type
Table Unit Net Weight .....	95kg
Doctor Unit Net Weight .....	25kg
Assistant Unit Net Weight .....	20kg

##### Pole Mount Light (IO 5000) Section

Power Requirement .....	AC115V/220/230/240V, 50/60Hz
Light Intensity .....	28000/22000/15000Lx
Colour Temperature .....	5000K
Net Weight .....	12kg



## 4. OPERATING INSTRUCTIONS

### 4-1. MASTER SWITCH AND CHAIR MAIN SWITCH

**Note :** Before operation, confirm that air compressor is fully charged.

The chair can be operated only when both the master switch and the chair main switch are ON.

#### (1) Master Switch (Fig.4-1)

Turn on the master switch located on side of the film viewer, master switch illuminates in green.

#### ▲ CAUTION

**Turn off the master switch after daily operation.**

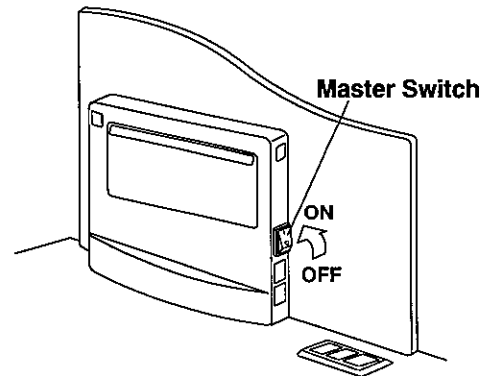


Fig.4-1 Master Switch

#### (2) Chair Main Switch (Fig.4-2)

#### ▲ CAUTION

**Operate the chair main switch only by hand.**

Turn on the chair main switch located on the left side of the pump cover, chair main switch illuminates in green.

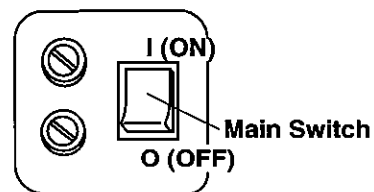


Fig.4-2 Chair Main Switch

### 4-2. CONTROL PANELS (Fig.4-3 & Fig.4-4)

Control panels and switch locations and functions are shown in Fig.4-3 and Fig.4-4.

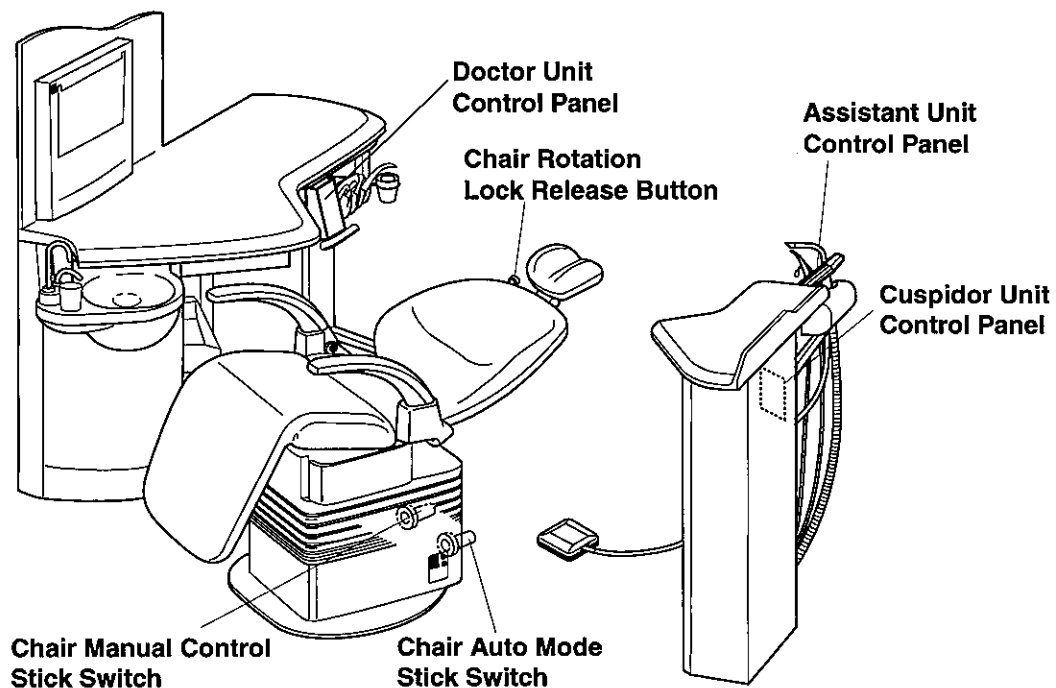
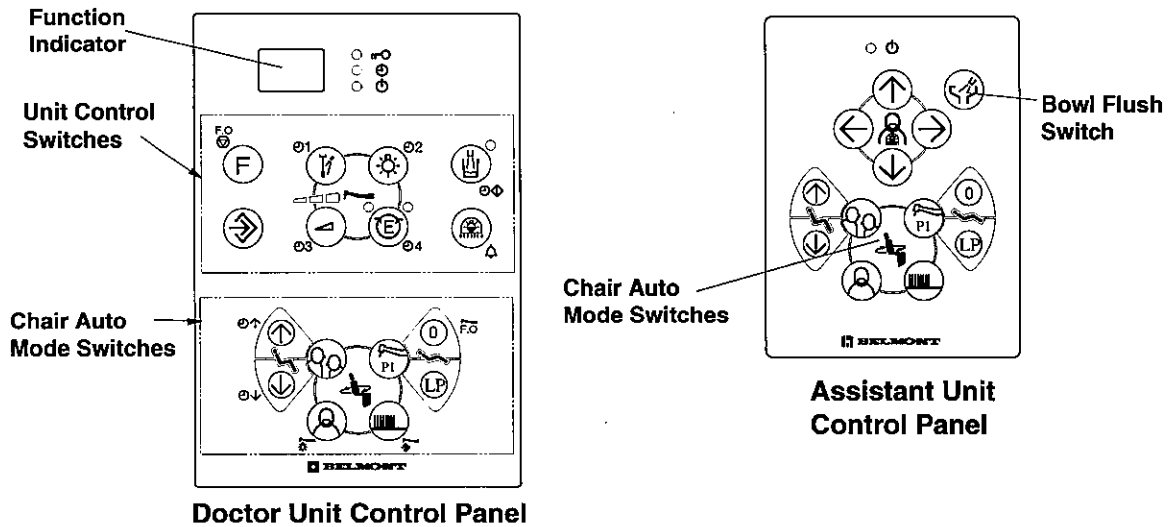


Fig.4-3 Control Panels and Switch Positions

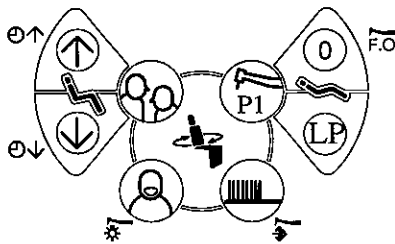


**Fig.4-4** Control Panel Functions

### 4-3. CHAIR POSITIONS AND CHAIR OPERATING INSTRUCTIONS

#### ⚠ CAUTION

Before operating the chair, confirm safety for the patient and the operator.



**Fig.4-5** Chair Auto Mode Switches

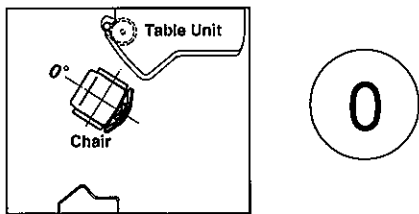
Chair auto mode movements are controlled by chair auto mode switches. (Fig.4-5)

#### (1) Initial Position (Fig.4-6)

This position is for patient's entry to and descent from the chair.

Chair rotation angle is 0° with lowest seat position and upright backrest position.

Momentarily depress the auto return switch (⊖) on the control panel, chair will return to the initial position automatically from any position.



**Fig.4-6** Initial Position and Auto Return Switch

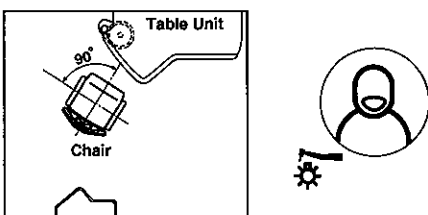
**Note :** Each chair rotation angle described here is lotated clockwise from initial position (0°).

#### (2) Consultation Position (Fig.4-7)

This position is for consultation.

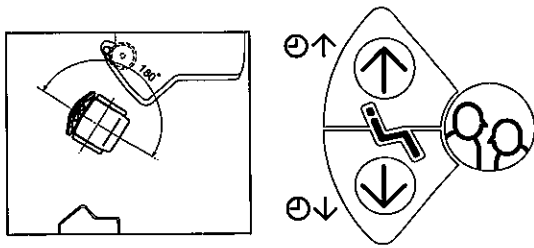
Chair rotation is 90° with lowest seat position and upright backrest position.

Momentarily depress the consultation position switch (⊗) on the control panel, chair will rotate to the consultation position automatically.



**Fig.4-7** Consultation Position and Consultation Position Switch

**Note :** Any chair manual control switch can not be operated at this position for safety.



**Fig.4-8** 6 O'clock Position and 6 O'clock Position Switch

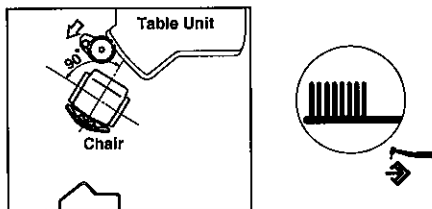
(3) 6 o'clock Position (**Fig.4-8**)

This position is for 6 o'clock treatment or examination (face to face treatment position).

Chair rotation is 180° with lowest seat position and upright backrest position.

Momentarily depress the 6 o'clock position switch (⊙) on the control panel, chair will move to the 6 o'clock treatment position automatically.

Chair seat height can be adjusted at this position, by depressing (↑) or (↓) switch on the control panel.



**Fig.4-9** Toothbrushing Position and Toothbrushing Position Switch

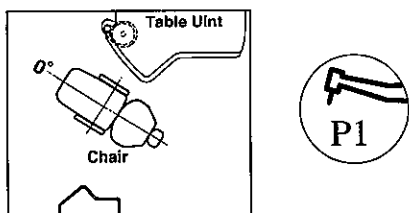
(4) Toothbrushing Position (**Fig.4-9**)

This position is for toothbrushing training.

Chair rotation is 90° with lowest seat position and upright backrest position. Cuspidor bowl comes out from the table unit automatically.

Momentarily depress the toothbrushing position switch (⊞) on the control panel, chair will move to the toothbrushing position and cuspidor bowl will come out to the left side of chair from the table unit automatically.

**Note :** Any chair manual control switch can not be operated at this position for safety.



**Fig.4-10** Treatment Position and Preset Switch

(5) Treatment Position (Preset Position) (**Fig.4-10**)

This position is for treatment.

Chair rotation angle is 0° with memorized seat height and memorized backrest angle.

Treatment position seat height and backrest angle can be memorized independently.

Momentarily depress the Preset Switch (⊞) on control panel, the chair will move to the treatment position automatically.

Seat height and backrest angle can be adjusted by the stick switch at this position.

(6) Chair Rotation Manual Adjustment (**Fig.4-11**)

**▲ CAUTION**

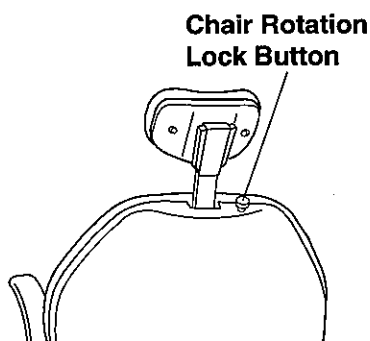
**Do not press the rotation lock button during automatic procedure.**

Chair rotation can be adjusted by manual control.

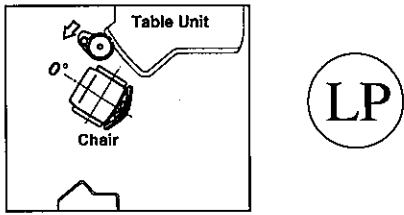
Keep pressing the chair rotation lock button, to rotate the chair.

Adjust chair rotation angle to the desired position and release the rotation lock button.

In case rotated over the rotation limit, an alarm buzzer sounds. Rotate the chair between rotation limits.



**Fig.4-11** Rotation Lock Button



**Fig.4-12** Last Memory Position and Last Position Memory Switch

(7) Last Position Memory (**Fig.4-12**)

Momentarily depress the last position memory switch (ⓁP) on the control panel at the treatment position, the backrest will raise to upright position and the seat lowered to mouth rinsing and the cuspidor bowl will come out to the right side of chair from the table unit automatically.

Momentarily depress the last position memory switch (ⓁP) again, the backrest and seat will return to the previous treatment position and the cuspidor bowl will be retracted into the table unit.

**Note :** Last position memory is effective only at the treatment position.

(8) Emergency Stop

During automatic procedure, depressing any button or stick switch will cancel the automatic movement immediately.

**Note :** After emergency stop, confirm the safety and return the chair to the initial position by depressing the auto return switch (Ⓢ) button, then reset the chair position.

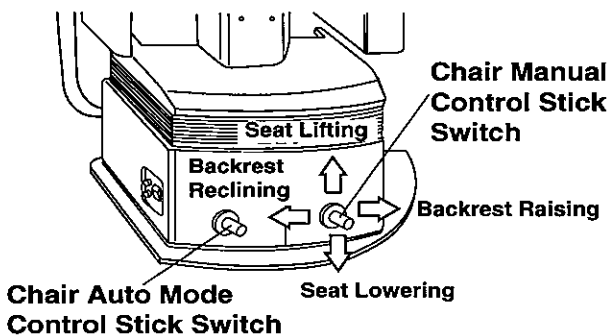
(9) Manual Control by Stick Switch (**Fig.4-13**)

Manual mode chair control stick switch is located on the right side of pump cover rear.

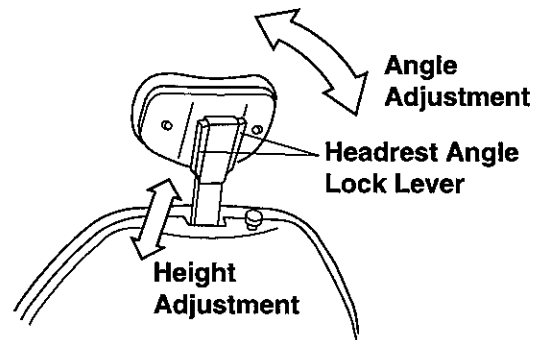
- A. Seat Lifting ----- Keep pressing the stick switch to upward until the seat is lifted up to the desired position.
- B. Seat Lowering ----- Keep pressing the stick switch to downward until the seat is lowered to the desired position.
- C. Backrest Reclining --- Keep pressing the stick switch to left side until the backrest is reclined to the desired position.
- D. Backrest Raising ----- Keep pressing the stick switch to right side until the backrest is raised up to the desired position.

(10) Headrest Operation (**Fig.4-14**)

- A. Height Adjustment --- Press or pull up the headrest to the desired height.
- B. Angle Adjustment ---- Push the headrest angle lock lever to rotate backward and release the headrest angle lock lever at the desired position.

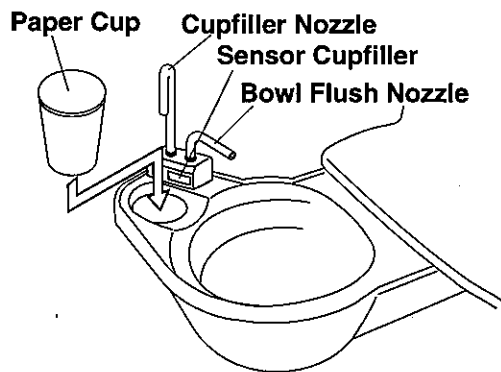


**Fig.4-13** Manual Control Stick Switch



**Fig.4-14** Headrest Operations


#### 4-4. UNIT OPERATING INSTRUCTIONS



**Fig.4-15** Sensor Cupfiller

##### (1) Sensor Cupfiller (**Fig.4-15 & Fig.4-16**)

Place a cup (paper cup) on the cuffiller base, water comes out from the cupfiller nozzle to fill the cup, and stops automatically.

During filling the cup , momentarily pressing the cupfiller switch (  ) will stop filling.

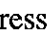
**Note :** Use suitable disposable paper cup only.


Empty the cup before placing it on the base to prevent water from overflowing.



**Fig.4-16** Cupfiller Switch

##### (2) Cupfiller Switch (**Fig.4-16**)

Momentarily press the cupfiller switch (  ), cupfiller water comes out from the cupfiller nozzle for about 4 seconds and stops automatically.

During the cupfilling, pressing the cupfiller switch (  ) stops filling.


The indicator illuminates during the cupfiller is working.

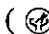
**Note :** Do not press the cupfiller switch when a cup is not on the cupfiller base.

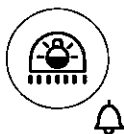


**Fig.4-17** Bowl Flush Switch

##### (3) Bowl Flush Switch (**Fig.4-17**)

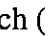
Momentarily press the bowl flush switch (  ), bowl flush water flushes for about 6 seconds from the bowl flush nozzle and stops automatically.

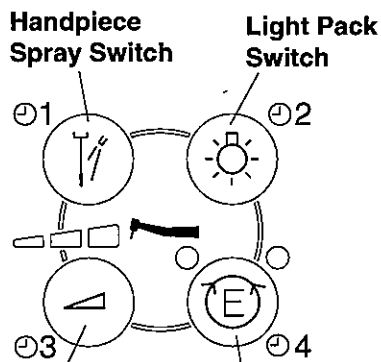
During the bowl flushing, pressing the bowl flush switch (  ) stops bowl flushing.



**Fig.4-18** Extra Switch

##### (4) Extra Switch (**Fig.4-18**)

The extra switch (  ) can be used for the dental light ON/OFF switch.





**Fig.4-19** Handpiece Control Switches

##### (5) Handpiece Control Switches (**Fig.4-19**)

###### A. Handpiece Spray Switch

When this switch is illuminated, spray water comes out of the handpiece if it is taken from holder and foot controller pedal is depressed.

Momentarily pressing the handpiece spray switch (  ) will stop spray water.

When the master switch is turned on, the handpiece spray switch (  ) turns on and the indicator illuminates automatically.

**B. Light Pack Switch (Optional)**

Momentarily press the light pack switch (⊗), the indicator illuminates and the fiber optic power turns on until the light pack switch is pressed again.

Fiber optic handpiece lighting mode : Refer to 4-5 (4)

**C. Electric Motor Rotational Direction Control Switch (Optional)**

Rotational direction of the electric motor can be changed by momentarily pressing the direction control switch (⊙), and rotational direction is indicated by the indicator.

**Note :** Do not change rotational direction during electric motor is running.

**D. Electric Motor Maximum Speed Setting Switch (Optional)**

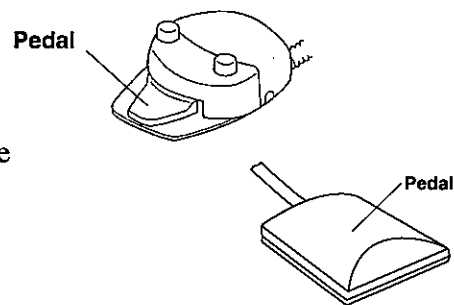
The maximum speed of electric motor can be set. The maximum speed is indicated on the indicator. The maximum speed can be select 3 steps and 5 steps. (It depends on electric motor type.)

3 Steps Speed Selection : 10000rpm, 20000rpm, 40000rpm

5 Steps Speed Selection : 5000rpm, 10000rpm, 20000rpm, 30000rpm, 50000rpm

**(6) Foot Controller (Fig.4-20)**

Pick up a handpiece from handpiece holder and depress the foot controller pedal, the handpiece starts running and spray water and air comes out from the handpiece. Handpiece rotation speed can be controlled by the pressure of depressing the foot controller pedal. During air handpiece is running, the drive air pressure is indicated in the handpiece pressure gauge.



**Note :** Spray water and air ON/OFF can be controlled by the handpiece spray switch. Refer to 4-4, (5) A.

**Fig.4-20** Foot Controller

**A. Safety Lock System**

During a handpiece is running, the lock indicator illuminates on the doctor unit control panel and all movements of chair are locked for safety.

**B. First Priority System**

If a handpiece is taken from the handpiece holder, any other handpiece will not operate for safety.

**(7) Assistant Side Instrument Holder**

Pick up a instrument (Saliva Ejector or Vacuum Handpiece) from the assistant holder, and it starts working automatically.

**Note ;** In central vacuum system, the vacuum handpiece (HVE) will keep working for about 8 seconds after it is returned to its holder to clean the inside of vacuum hose.

(8) Doctor Unit Section Control Knobs (Fig.4-21)

A. Handpiece Spray Water Control Knob

The handpiece spray water control knobs are located at the front side of doctor table bottom.

Each handpiece spray water control knob is lined up from the facing left side HP1, HP2, HP3, HP4.

The handpiece spray water can be controlled independently.

B. Handpiece Spray Air Control Knob

The handpiece spray air control knob is located at the front side of doctor table bottom.

The handpiece spray air for all handpieces is controlled by an air control knob.

C. Doctor's Syringe Flow Control Knobs.

Doctor's syringe flow control knobs are located at the right side of doctor unit bottom.

The doctor's syringe flow control knobs adjust doctor's syringe air and water flow.

The yellow capped knob is the air flow control knob, the blue capped knob is the water flow control knob.

D. Flush Out water Control Knob

The flush out water control knob stops flush out water. This knob is provided to stop flush out for emergency.

Keep the knob open under normal condition.

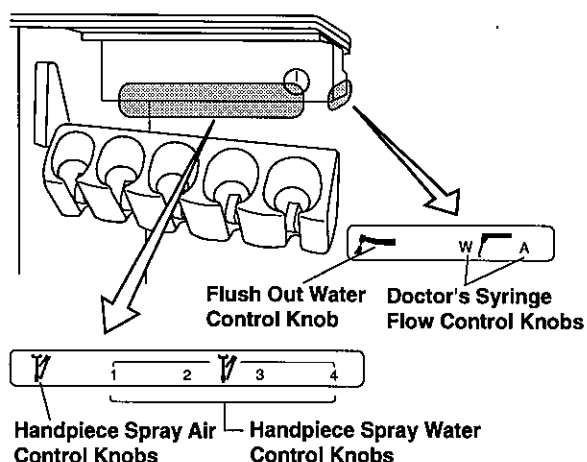


Fig.4-21 Doctor Unit Control Knobs

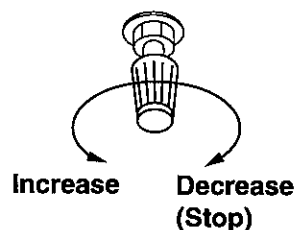


Fig.4-22 Control Knob

**Note :** Turning a control knob counterclockwise increases flow volume and turning clockwise decreases. (Fig.4-22)

(9) Table Unit Section Control Knobs (Fig.4-23)

A. Cupfiller Flow Control Knob

The cupfiller flow control knob is located under the cuspidor bowl.

The flow control knob adjusts the cupfiller to suitable flow volume.

B. Bowl Flush Flow Control Knob

The bowl flush flow control knob is located under the cuspidor bowl.

The flow control knob adjusts the bowl flush flow to optimum rinse action.

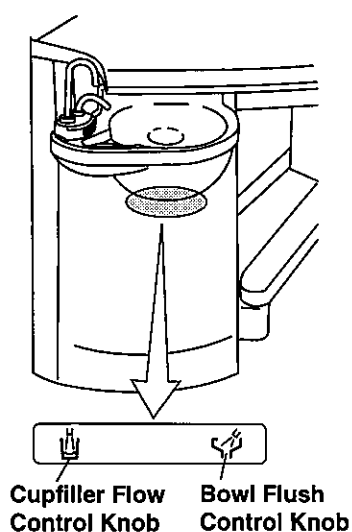


Fig.4-23 Table Unit Section Control Knobs

**Note :** Turning a control knob counterclockwise increases flow volume and turning clockwise decreases. (Fig.4-22)

(10) Cuspidor Unit Control Panel (Fig.4-24)

Assistant's syringe air and water flow control knobs, service air and water outlet and service water control knob are located on the cuspidor unit control panel.

- A. Assistant's Syringe Flow Control Knob  
The assistant's syringe flow control knobs adjust assistant's syringe air and water flow. The yellow capped knob is the air flow control knob, the blue capped knob is the water flow control knob.
- B. Service Water Outlet  
The service water outlet provides quick-connect water.
- C. Service Water Outlet Control Knob  
The water volume of service outlet can be adjusted by the service water outlet control knob.
- D. Service Air Outlet  
The service air outlet provides quick-connect air.

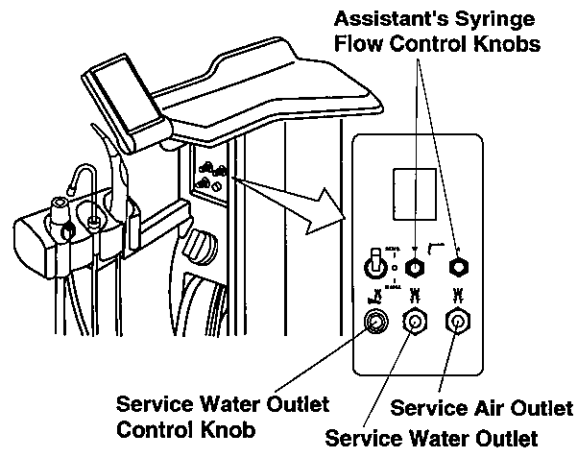


Fig.4-24 Cuspidor Unit Control Panel

**Note :** Turning a control knob counterclockwise increases flow volume and turning clockwise decreases. (Fig.4-22)

4-5. UNIT SUPPLEMENT FUNCTIONS

Rapport unit provides supplement functions (Count down timer, Control panel switching sound ON/OFF, Fiber optic handpiece illumination timing and Flush out system). Supplement functions are selected by the function switch.

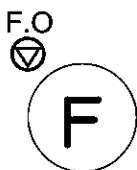
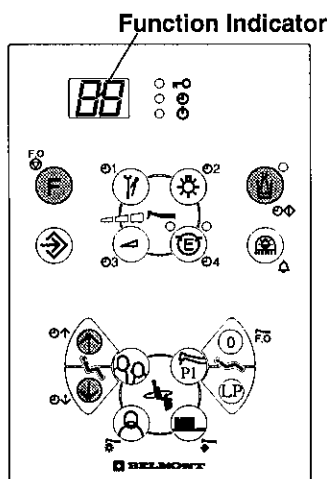


Fig.4-25 Function Switch

(1) Count Down Timer

The RAPPORT unit provides 2 kinds of count down timer (Non-memory mode and Memory mode). Count down timer can be set maximum 9 mins. 90 secs. in 10 secs. segment.



Doctor Unit Control Panel

A. Non-Memory Mode Count Down Timer (Fig.4-25 & Fig.4-26)

Momentarily press the function switch ( F ), and the function indicator to displays( F I ).

Set count down time by pressing ( ↑ ) or ( ↓ ) switch.

Pressing ( ↑ ) switch increases and pressing ( ↓ )

decreases time. (Minimum setting time is 10 secs..)

The setting time is indicated on the function indicator.

Example : Setting time 3 mins. 20 secs. is indicated as( 32 )

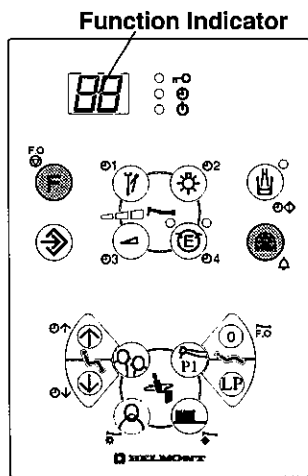
in the function indicator.

Momentarily pressing the cupfiller switch ( Ⓜ ) starts count down timer.

The end of setting time is informed by electronic sounds.

Fig.4-26 Count Down Timer Setting Switches (Non-Memory Mode)





Doctor Unit Control Panel

Fig.4-28 Control Panel Switching Sound ON/SFF Control

(2) Control Panel Switching Sound ON/OFF. (Fig.4-28)

Pressing a switch on the control panel makes an electric sound. This sound can be eliminated as follows;

Momentarily press the function switch ( F ), and the function indicator displays ( F I ).

A single pressing of the extra switch ( ) can select switching sound ON or OFF alternately. Switching sound is ON, when the extra switch indicator illuminates.

After selection of switching sound ON/OFF, keep pressing the function switch ( F ) until the indicator changes to ( rP ).

(3) Flush Out System (Fig.4-29)

The RAPPORT is equipped with 2 type of flush out systems. Short time flush out is for cleaning handpiece water lines. Long time flush out is for cleaning handpiece water lines, bowl flush water line and cupfiller water line.

A. Short Time Flush Out (Flush Out for Handpiece Water Line)

Momentarily press the function switch ( F ), and the function indicator displays ( F I ).

Pick up the handpieces from holder and set them in bowl.

Keep pressing the auto return switch ( ) until the indicator changes to ( L I ).

Releasing the auto return switch ( ) starts short time flush out. Water comes out from the handpieces and stops automatically in about 40 secs.

**Note :** During flush out, momentarily pressing the function switch will cancel flush out immediately.

B. Long Time Flush Out (Flush Out for Unit Water Line)

Momentarily press the function switch ( F ), and the function indicator displays ( F I ).

Pick up the handpieces from holder, set them in bowl and remove the cup from the cupfiller base.

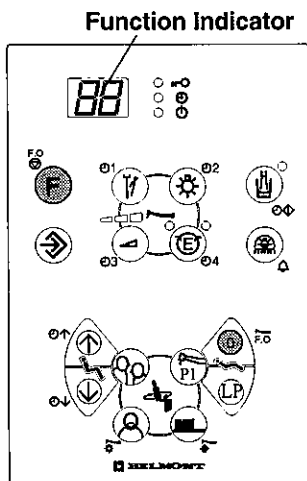
Keep pressing the auto return switch ( ) until the indicator changes to ( L I ).

Releasing the auto return switch ( ) starts long time flush out.

Flush out starts from handpiece and cupfiller and spittoon bowl one after another and stops automatically.

**Note :** In case the handpieces are not picked up, flush out only cupfiller and spittoon bowl one by one with ( L I ) indication.

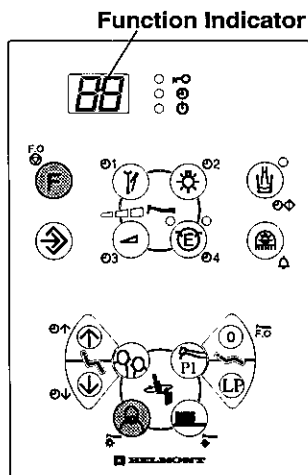
During flush out, momentarily pressing the function switch ( F ) will cancel flush out immediately.



Doctor Unit Control Panel

Fig.4-29 Flush Out System Control

- (4) **Fiber Optic Handpiece Lighting Mode (Fig.4-30)**  
 Fiber optic handpiece is optional.  
 The RAPPORT is equipped with 2 type of fiber optic hand-  
 piece lighting modes.



**Doctor Unit Control Panel**

**Fig.4-30** Fiber Optic Handpiece  
 Lighting Mode Selection

**Mode 1** : The fiber optic light illuminates during the fiber  
 optic handpiece is running.

**Mode 2** : The fiber optic light illuminates when the fiber  
 optic handpiece is picked up from the holder,  
 and turns out automatically in about 4 seconds  
 after the handpiece is returned to the holder.

**Setting Fiber Optic Handpiece Lighting Mode**

Momentarily press the function switch ( **F** ) and change  
 the function indicator displays( **F I** ).

A single press of the consultation position switch ( **O** )  
 selects **Mode 1** or **Mode 2** alternately.

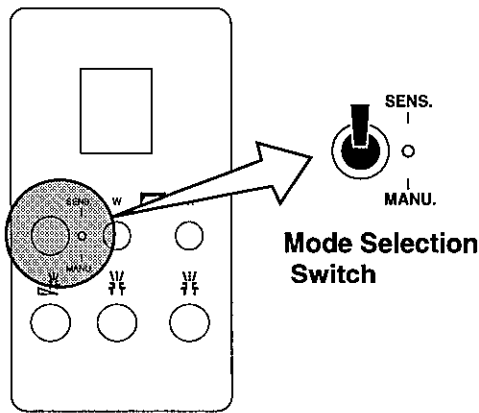
After setting fiber optic handpiece lighting mode, keep  
 pressing the function switch ( **F** ) until the indicator  
 changes to ( **FP** ).

## 4-6. POLE MOUNT LIGHT (IO 5000) OPERATING INSTRUCTIONS

### (1) Mode Selection Switch (Fig.4-31)

The mode selection switch is located on the cuspidor unit panel control panel.

Switching mode can be changed by the mode selection switch.



Cuspidor Unit Control Panel

**Sensor Mode** ---- The dental light ON/OFF is controlled by the touchless switch.

**Manual Mode** --- The dental light ON/OFF is controlled by the manual switch.

Fig.4-31 Mode Selection Switch

### (2) Touchless Switch (Fig.4-32)

The touchless sensor switch is located on lower parts of the light head.

In sensor mode, the dental light ON/OFF can be controlled by approaching a palm to the touchless sensor switch about 60mm.

**Note :** Keep clean the surface of touchless sensor switch.

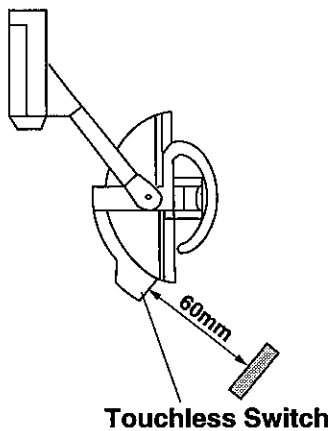


Fig.4-32 Touchless Switch

### (3) Intensity Control Switch (Fig.4-33)

The intensity switch is located on the lower parts of light yoke. The dental light intensity of illumination can be controlled by the intensity switch.

**High** ----- Turn the intensity switch to **H** position

**Medium** ---- Turn the intensity switch to **M** position

**Low** ----- Turn the intensity switch to **L** position

**Note :** Dental light ON/OFF can be operated by the extra switch on the doctor unit control panel.

Refer to 4-4, (4).

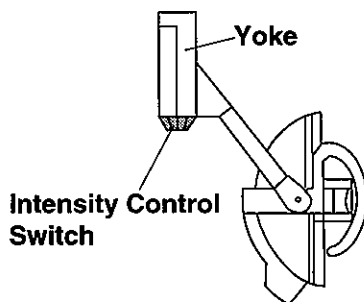
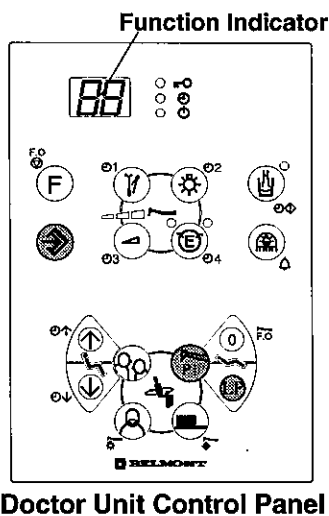


Fig.4-33 Intensity Control Switch

## 5. ADJUSTMENTS



Doctor Unit Control Panel

Fig.5-1 Chair Auto Mode Adjustment

### 5-1. CHAIR AUTO MODE POSITION ADJUSTMENTS

#### (1) Preset Position Adjustment (Fig.5-1)

The seat height and the backrest angle can be memorized at the preset position (treatment position).

- A. Set the seat and backrest to the desired preset position by manual control switches.
- B. Momentarily press the store switch (⊕) and press the preset switch (⊗). This position is memorized.

#### (2) Mouth Rinsing Position Adjustment (Fig.5-1)

The backrest angle for mouth rinsing can be memorized at the last position memory.

- A. Set the backrest angle to the desired mouth rinsing position by manual control switches.
- B. Momentarily press the store switch (⊕) and press the last position memory switch (⊙). This position is memorized.

### 5-2. HANDPIECE HOLDER FUNCTION CANCELLATION AND RESET (Fig.5-2)

#### (1) Handpiece Holder Function Cancellation

Handpiece holder function can be cancelled. (The handpiece corresponding to the cancelled handpiece holder can not operate.)

How to cancel handpiece holder function.

- A. Pick up the handpiece to cancel.
- B. Press the function switch (⊕) and change the function indicator to (F1).
- C. Momentarily press the toothbrushing position switch (⊖).

The picked up handpiece holder function is cancelled with buzzer sound and the function indicator (HE).

**Note :** In case that the master switch is turned off with the handpiece is not setting into the holder completely, the handpiece holder function is cancelled automatically.

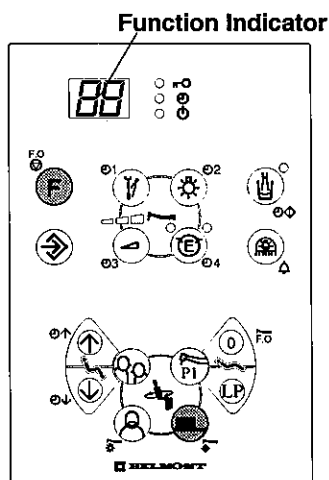
Before turning off the master switch, confirm all handpieces are setting into the holders completely.

#### (2) Handpiece Holder Function Reset

Cancelled handpiece holder function can be reset.

How to reset handpiece holder function.

- A. Set all handpieces into holders completely.
- B. Turn off the master switch and turn on the master switch again.  
All handpiece holder functions are reset automatically.



Doctor Unit Control Panel

Fig.5-2 Handpiece Holder Function Cancellation and Reset

## 6. CARE AND MAINTENANCE

### ⚠ CAUTION

Turn off the master switch and the main switch at the initial position after daily operation or in long term interval.

Turn off the main water valve after daily operation or in long term interval. (Fig.6-7)

### 6-1. CARE AND MAINTENANCE FOR CHAIR

Other than cleaning, no scheduled maintenance of chair is required.

### ⚠ CAUTION

Do not drench the chair for cleaning.

Do not use polishing powder, solvents, strong disinfectant and hot water for cleaning.

After cleaning, wipe with a dry soft cloth and keep dry.

Upholstery can be cleaned with a neutral detergent.

Paint parts, metal parts and plastic parts can be cleaned with a weak ethanol.

All tubings can be cleaned with a weak ethanol.

### 6-2. CARE AND MAINTENANCE FOR UNIT

#### (1) Cleaning Unit

### ⚠ CAUTION

Do not drench the unit for cleaning.

Do not use polishing powder, solvents, strong disinfectant and hot water for cleaning

After cleaning, wipe with a dry soft cloth and keep dry.

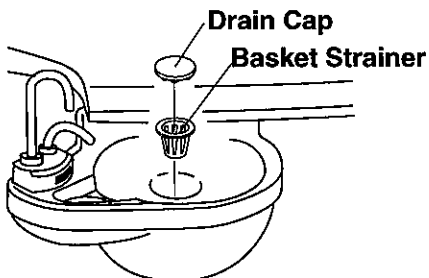


Fig.6-1 Spittoon Bowl

#### (2) Cuspidor Bowl (Fig.6-1)

Take out the drain cap and the basket strainer in the centre of spittoon bowl and clean them.

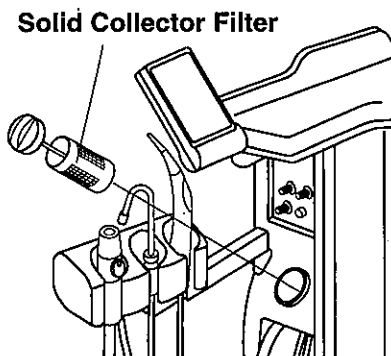
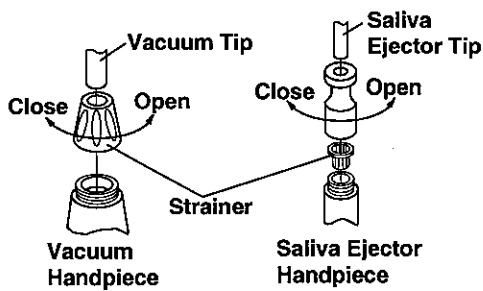


Fig.6-2 Solid Collector

#### (3) Solid Collector (Fig.6-2)

Pull out the solid collector with filter and clean it.

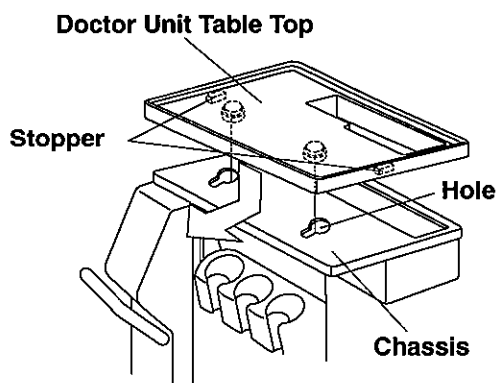


**Fig.6-3** Vacuum Handpiece and Saliva Ejector

(4) Vacuum Handpiece and Saliva Ejector (**Fig.6-3**)

- A. Unscrew and remove the top parts of each handpiece and clean strainer.
- B. After daily operation, run two cup of clean water through handpieces to clean inside.

**Note :** After cleaning the handpieces, apply a white vaseline lightly on the rubber parts (O-Ring) and screws parts for long life.



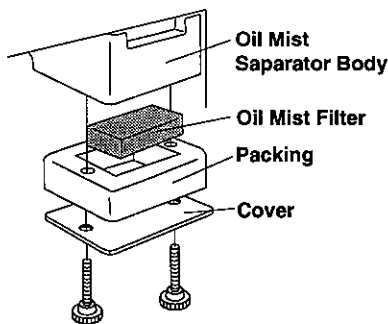
**Fig.6-4** Doctor Unit Table Top

(5) Doctor Unit Table Top (**Fig.6-4**)

Doctor unit table top is detachable for cleaning.

- A. Detaching doctor unit table top  
Keep pulling the both side of stoppers and slide the table top to rear side.
- B. Attaching doctor unit table top  
Line up the front side of table top to the front side of chassis. Put the hooks located rear side of table top on the holes on chassis and slide it to front side.

**Note :** Detach and attach the table top with nothing on the tabletop.



**Fig.6-5** Oil Mist Separator

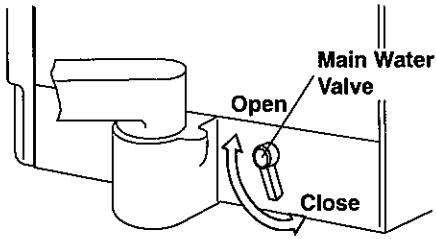
(6) Oil Mist Separator (**Fig.6-5**)

Handpiece oil mist separator is located on the rear side of doctor unit table.

Once a week open the oil mist separator and clean the oil mist filter.

(7) Drain Valve for Air Filter in Utility Section

Once a week open the drain valve in the utility section and drain off water from the air filter.



(8) Main Water Valve (**Fig.6-7**)

Main water valve is located on the table unit base.

Turn off the main water valve after daily operation or in long term interval.

**Fig.6-7** Main Water Valve

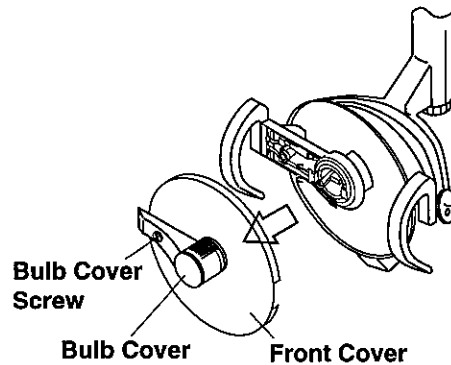
**6-3. CARE AND MAINTENANCE FOR POLE MOUNT LIGHT (IO 5000)**

(1) Cleaning Light

Wipe the light parts with a dry soft cloth.

In case heavy dirt, it can be cleaned with a neutral detergent.

After cleaning, wipe it with a dry soft cloth and keep dry.



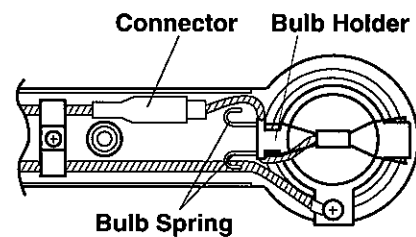
**Fig.6-9** Removing Light Cover and Bulb Cover (IO 5000)

(2) How to Change Light Bulb

**CAUTION**

**Before changing light bulb, turn the light power off. Wait until the light parts are cool down and change the light bulb.**

**Do not touch the glass part of light bulb directly.**



**Fig.6-8** Changing Light Bulb

A. Turn the bulb cover screw 90° counterclockwise and remove the bulb cover with the front cover (**Fig.6-9**)

B. Reconnect the light bulb connector and remove the light bulb spring.

Change the light bulb and reattach the light parts.

(**Fig.6-8**)

**NOTE**



**TAKARA BELMONT CORPORATION**

1-1, 2-Chome, Higashi-shinsaibashi, Chuo-ku, Osaka, Japan

TEL. : (06) 6213-5945

TELEFAX : (06) 6212-3680